

Standard Specifications : PB model

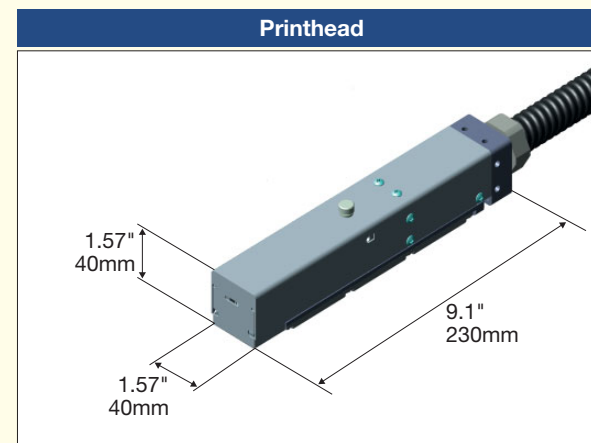
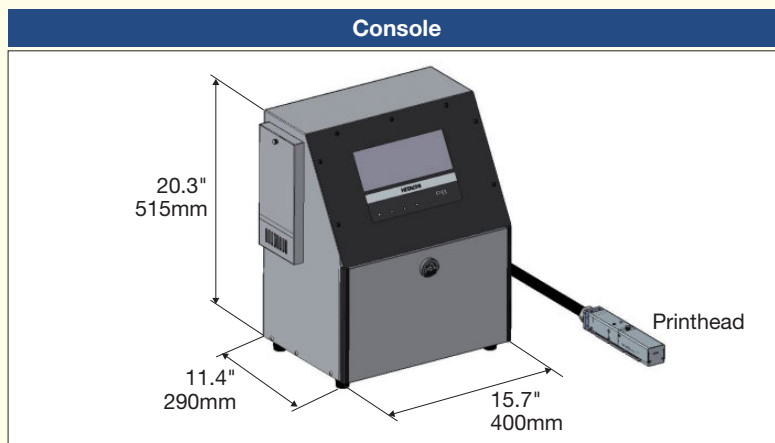
Printing specifications		
Model	PB-260U	PB-260E
Nozzle size	65 μm	
Max. number of lines	Up to 2 Lines	
Maximum number of characters per line	1 Line : Up to 120 characters 2 Lines : Up to 60 characters	
Fonts (Dot Matrix) (Horizontal x vertical)	1-2 Line : 5 x 8 (or 5 x 7), 7 x 10, 1 Line : 12 x 16	
Character height	1 line : 0.08–0.31 inches / 2–8 mm 2 lines total height : 0.18–0.31 inches / 4.5–8 mm	
Display & input device	Display : Liquid crystal display (8.9 inch, blue mode monochrome), back-light provided Input Device : Touch panel, confirmation beep	
Screen language	English	
Maximum print rate	Up to 821 characters/s (Font 5 x 7, space 1, 1 line)	
Standard characters	Alphanumeric (A–Z, a–z, 0–9), symbols (27), space : Total 90	
Number of user pattern storage capacity	Each dot matrix 40 characters	
Print functions	Calendar, counter, message storage (48 messages), bold (9 times), encoder function, repeat print, dot mixture, etc.	
Input signals	Print target detection, rotary encoder pulse	
Output signals	Print ready, abnormality, alarm (open collector signal)	

General specifications		
Model	PB-260U	PB-260E
Printhead umbilical length	9.8 feet / 3m	
Operating temperature range	32–113F / 0–45 °C	
Humidity range	30–90% R.H.*(no condensation)	
Power supply (Automatic Voltage selection)	AC 100–120 V±10% 50/60 Hz 150 VA	AC 100–120 / 200–240V±10 % 50/60 Hz 150 VA
Cabinet	Stainless Steel / IP45	
Overall size(width x depth x height)	400 x 290 x 515 mm / 15.7 x 11.4 x 20.3 inches	
Approximate weight	55 lbs / 25kg	
Approval	UL, cUL	CE,C-Tick

*Note : When humidity is more than 85 % RH, please purge inside of print head by air.

Information in this brochure is subject to change without notice.

Dimensions of Console and Printhead



*1. Hitachi Industrial Equipment Systems Co.,Ltd. (Hitachi) shall not be liable for any manufacturing loss, or any product damage due to trouble or malfunction of the ink jet printer.

*2. Hitachi continually improves products. The right, therefore, is reserved to alter the design and/or specifications without giving prior notice.

INK JET PRINTER

HITACHI

Continuous Ink Jet Printer for Industrial Marking

Hitachi IJ Printer PB model

with Large Liquid Crystal Touch Panel (8.9 inch)

User-friendly !

Cost performance !

Light & Small !



For further information, please contact your nearest sales representative.



Registration number: JACO-EC99J2009
Registration date: July 22, 1996



Registration number: JQA-QMA12087
Registration date: April 1, 2005

Printed in Japan(H) SX-E136Q 0806

Hitachi Industrial Equipment Systems Co., Ltd.

<http://www.hitachi-ies.co.jp/english/products/ijp/index.htm>

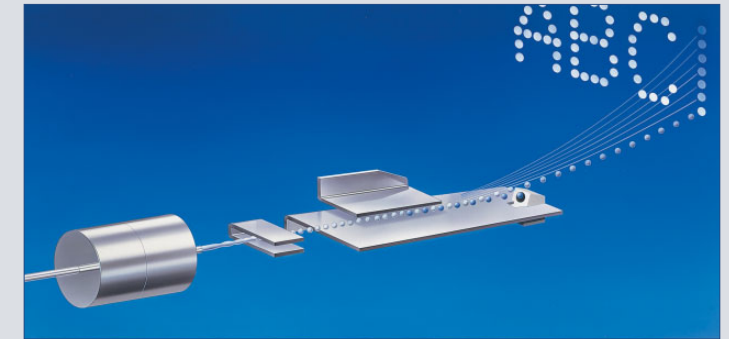
Hitachi IJ Printer PB model

More Reliability

- Full protection against dust and water jets in harsh environment. [IP45 (Test Specification:IEC60529:2001)]
- New viscosity control and current ink density control help to achieve stable drop formation and high quality printing.
- Improved ink circulation system provides more stable ink return.
- More wide operating temperature 32–113°F (JP-K67 ink).

Integration of high-tech and state-of-the-art design

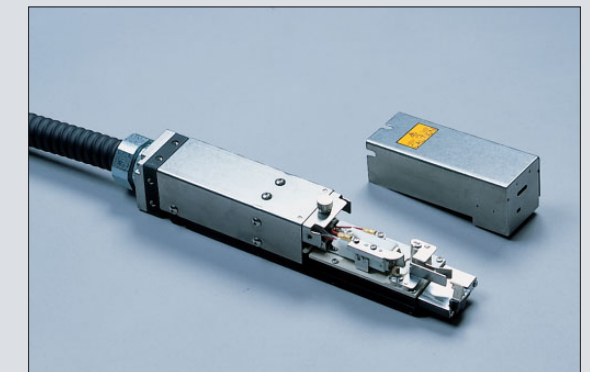
- Easy and quick operation by large liquid crystal display and touch panel (8.9 inch).
- Nozzle and gutter are automatically cleaned before stopping.
- Small footprint and light.
- Solvent evaporation reduced by the ink return system which confines the mixing of air and ink.
- Basic printing functions are available. [Creation of user pattern, bold printing, etc.]
- Various coding functions are available. [Date/ time automatic update, numbering, etc.]
- User-friendly coding functions are available. [Recall/ save print message, repeat print, product speed matching, etc.]
- Help functions are available. [User help messages, log management, password, etc.]



Ink jet printing is carried out by electronically controlled ink drops to ensure perfect printing positioning.

Easy maintenance

- Easy replacement of ink filter by developed ink system.
- Strong printhead.



Hitachi IJ Printer PB model

1 Line (5 x 7)	Different font mixed (12 x 16, 5 x 7)	2 Line (7 x 10)
USE BY 04.03.20 LOT.NO.0123456789	I J P HITACHI 0123456	USE BY 03.06.20 MFG.NO.04.03.25
MFG.NO.04.08.20 HITACHI		

Bold (5 x 7)	Bold (7 x 10)	Logo (7 x 10)
5x7 DOUB	7x10 DOUB	Ⓜ Ⓝ Ⓟ Ⓠ Ⓡ